



Addressable Manual Call Point AW-D135A

User Manual

----- Please read this Manual carefully before installing and using the product. -----

1. Overview

The AW-D135A Addressable manual call point is mainly designed to be use with an intelligent two-bus control system. If it is pressed after a fire is manually confirmed, an alarm signal may be sent to a fire alarm control system which will, after receiving the alarm signal, display the coded address and the equipment status of the manual fire call points. When the manual fire call points is operating normally, the red indicator will blink; when there is a fire alarm, it will remain lit. The AW-D135A Addressable supports electronic coding, more suitable for engineering application convenient.

2. Product characteristics

- 2.1 Semi-flush or surface mounting
- 2.2 Compatible with the latest EN standards
- 2.3 Lever reusable (non-glass break)
- 2.4 LED indicator
- 2.5 Full electronic coding, through AW-PR101 encoder scene rewrite

3. Technical parameters

- 3.1 Executive Standard: EN54-11
- 3.2 Operating voltage: 16VDC~ 24VDC
- 3.3 Operating current: monitoring status \leq 3mA, alarm status \leq 10mA
- 3.4 Application: For indoor use
- 3.5 Operating temperature: $-10^{\circ}\text{C}\sim 55^{\circ}\text{C}$, Relative humidity: $\leq 95\%$ (non-condensing)
- 3.6 Indicator: Red alarm indicator flashes when it is under normal condition, press the manual button lit work
- 3.7 Encoding: Coded by the encoder, the address range from 1 to 250 optional
- 3.8 Materials and colors: ABS, red
- 3.9 Wiring: The promise of two bus system(Loop In+, Loop In-)
- 3.10 Size: 99mm*91.5mm*66.3mm
- 3.11 Mating Panel: AW-FP100 addressable fire alarm control panel
- 3.12 Weight: about 95g
- 3.13 DOP/EC Certificate: 2831-CPR-F2834

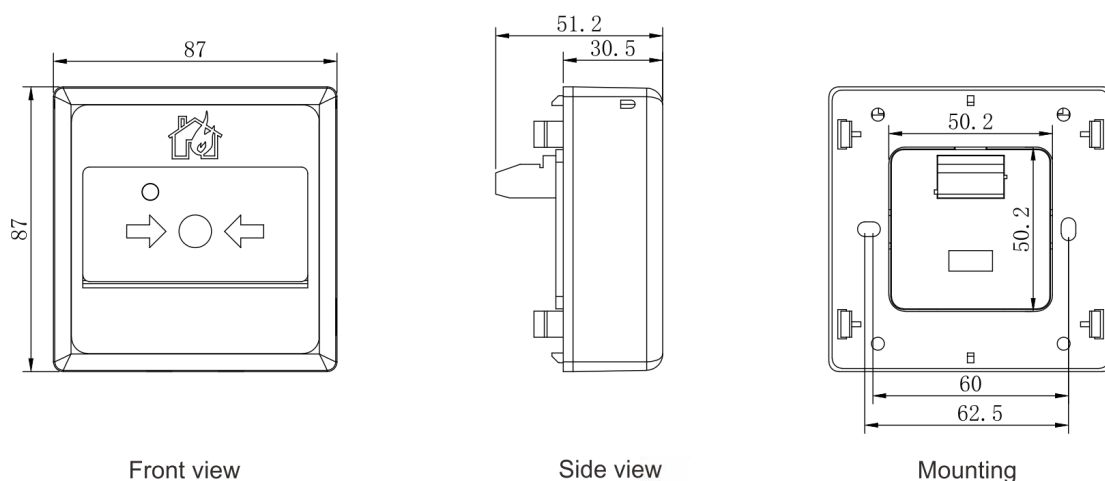
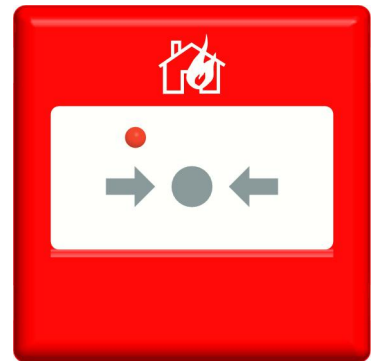


Figure 1.Main part



ASENWARE LTD

ADDRESS: 6 PROSPECT WAY, ROYAL OAK INDUSTRIAL ESTATE DAVENTRY,
NORTHAMPTONSHIRE, ENGLAND, NN118PL

WEBSITE: www.asenware.com EMAIL: info@asenware.com

MANUFACTURER: ZHONGSHAN GUTA FIRE EQUIPMENT TECHNOLOGY CO.,LTD

ADDRESS: Xingye Rd, Huoju District Zhongshan City, Guangdong P.R. China

4. Mounting base

Shown in Figure 2, the base is fixed to the wall, fix the middle cover on the base and then fix the top cover on the middle cover. The base dimensions of 87mm*87mm*33mm(Length*Width*Height), mounting hole diameter is $\phi 5$ mm, fixing the hole spacing is shown in Figure 3.

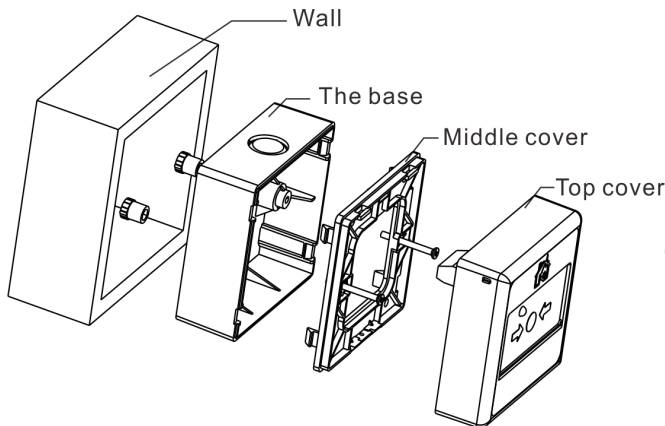


Figure 2.Mounting

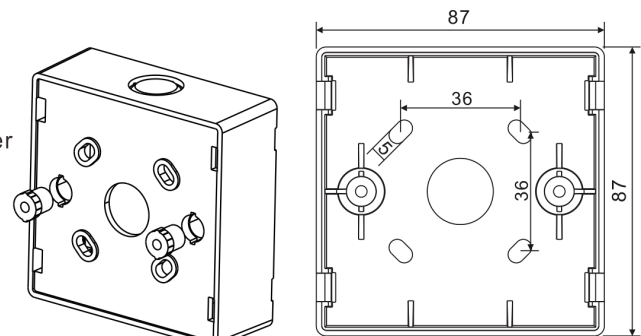


Figure 3. The base

5. Wiring and Connections

According to the wiring diagram, connect the wires to the desired end. Figure 4 shows, it is proper to use RVS twisted pairs with a section of area of equal to or larger than 0.75mm^2 for the socket IN or OUT.

6. Use

Address coding: The address of the AW-D135A, you can hand-held coder (AW-PR101) programming, the encoder must be purchased separately. The output of the encoder plug into the socket which inside the AW-D135A, set the coder with the coding function, compile the correct address code.

Start: When there is a fire manual confirmation, press the button on the panel of the AW-D135A(See Fig.5).After the manual fire alarm is given, the ALARM indicator will remain lit.

Reset: The resetting key into the manual reset button on the side of the hole being depressed can make restitution by piece, Reset the fire alarm control system and restore the AW-D135A to the normal monitoring status.

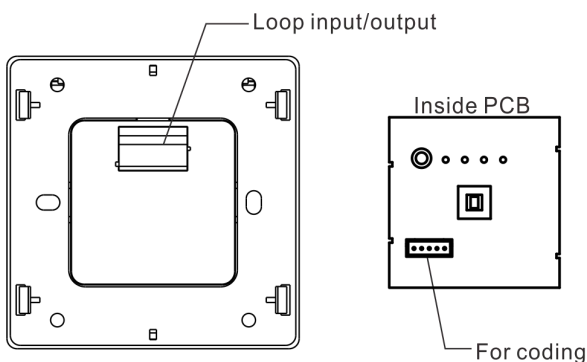


Figure 4.Connection and coding

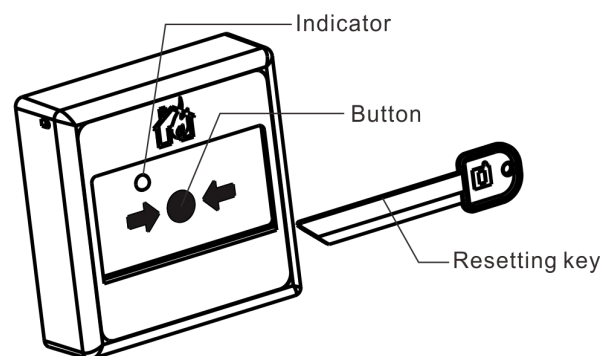


Figure 5.Use



ASENWARE LTD

ADDRESS: 6 PROSPECT WAY, ROYAL OAK INDUSTRIAL ESTATE DAVENTRY,
NORTHAMPTONSHIRE, ENGLAND, NN118PL

WEBSITE: www.asenware.com EMAIL: info@asenware.com

MANUFACTURER: ZHONGSHAN GUTA FIRE EQUIPMENT TECHNOLOGY CO.,LTD

ADDRESS: Xingye Rd, Huoju District Zhongshan City, Guangdong P.R. China